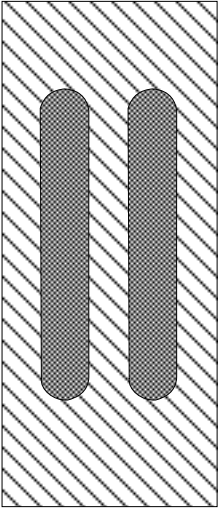
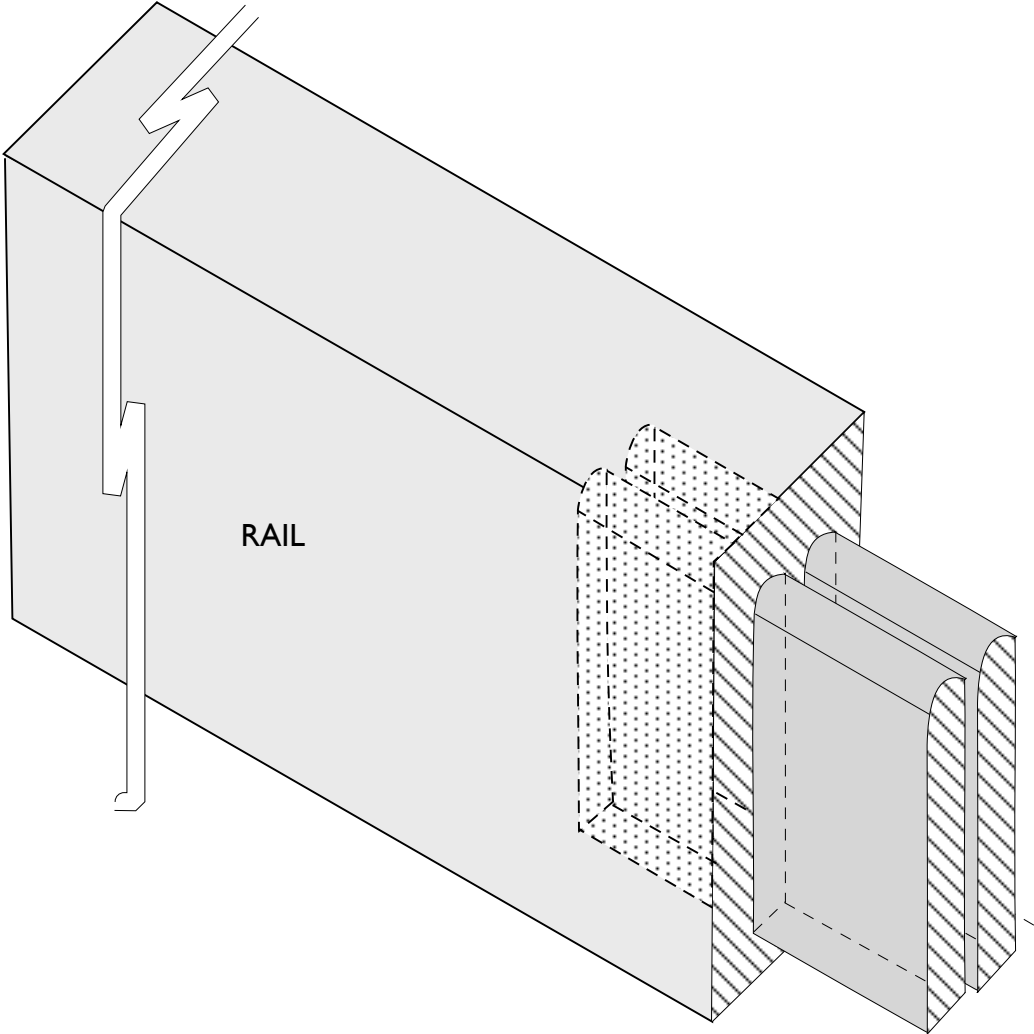


Double Floating Mortise and Tenon



END VIEW

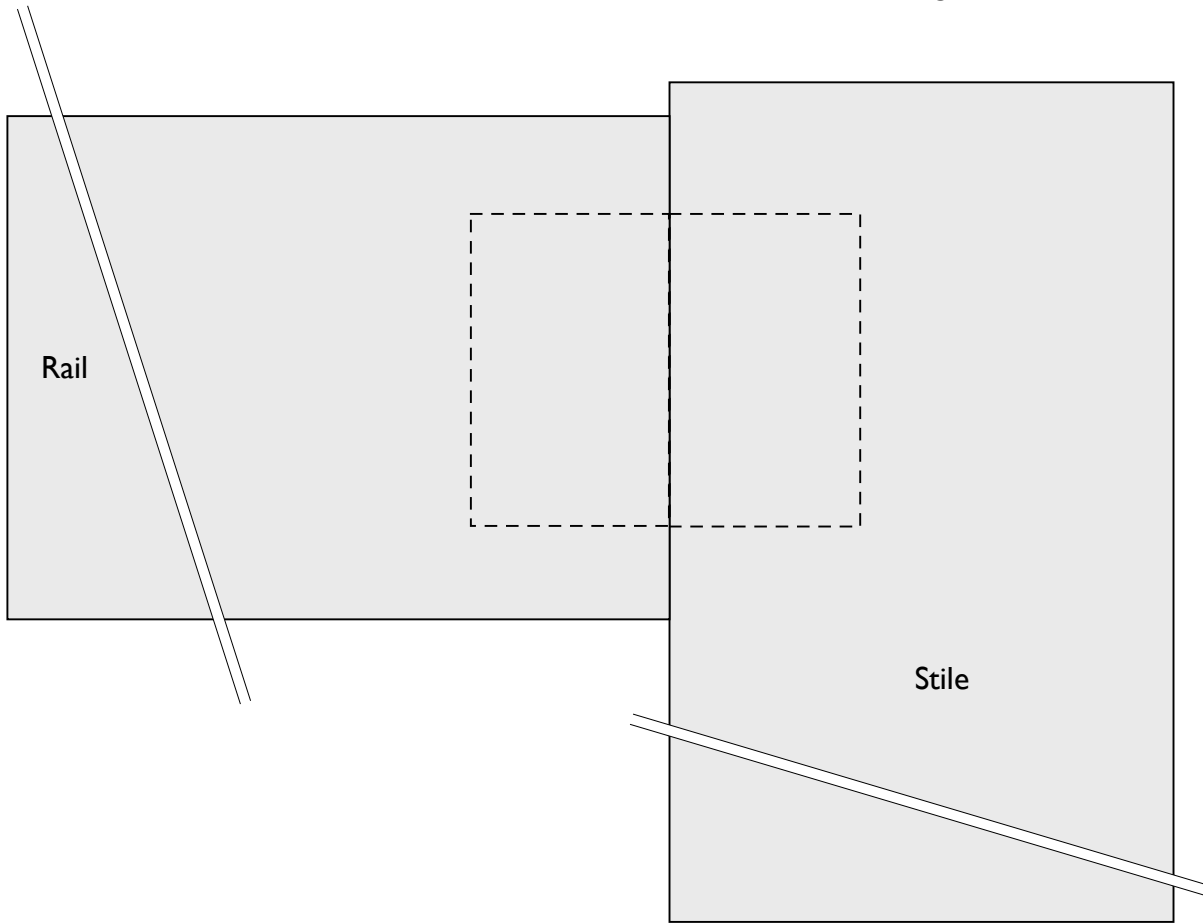


Floating Tenons

Double Floating Mortise and Tenon

P<sub>ROWELL</sub> W<sub>OODWORKS</sub>  
800.466.1850

Page 2



FRONT FACE VIEW