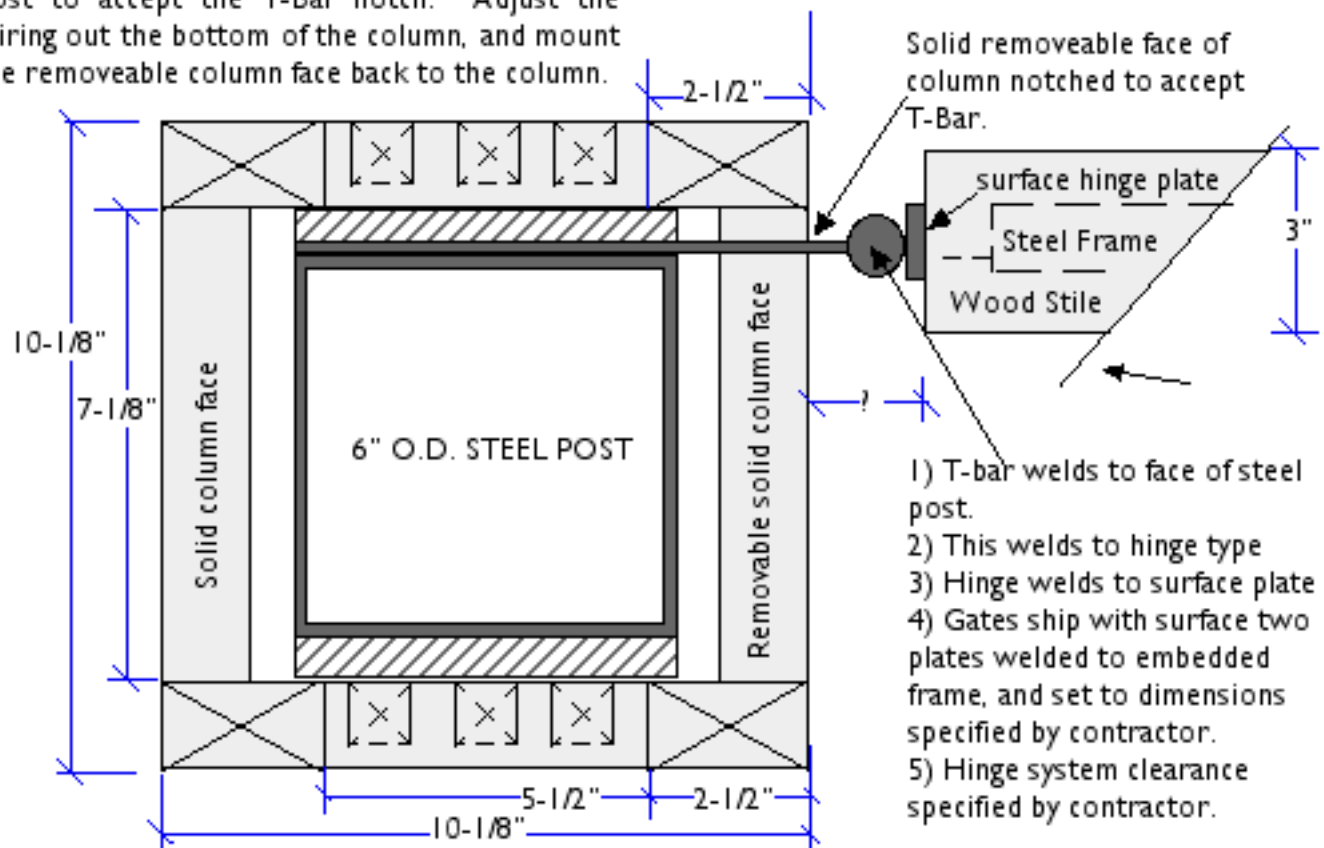


## Page #2

### CPW Columns-----Mounting Embedded Drive Gate

Column will arrive with all four sides in place, and the removable face temporarily screwed. Remove this face, slip the column around the steel post to accept the T-Bar notch. Adjust the wiring out the bottom of the column, and mount the removable column face back to the column.

CHARLES  
PROWELL  
Woodworks



PLAN VIEW

*Approaching the property from the Street.*

*Gates opening in toward the residence. Out-swing gates T-Bar is mounted to the opposite face of the steel post*