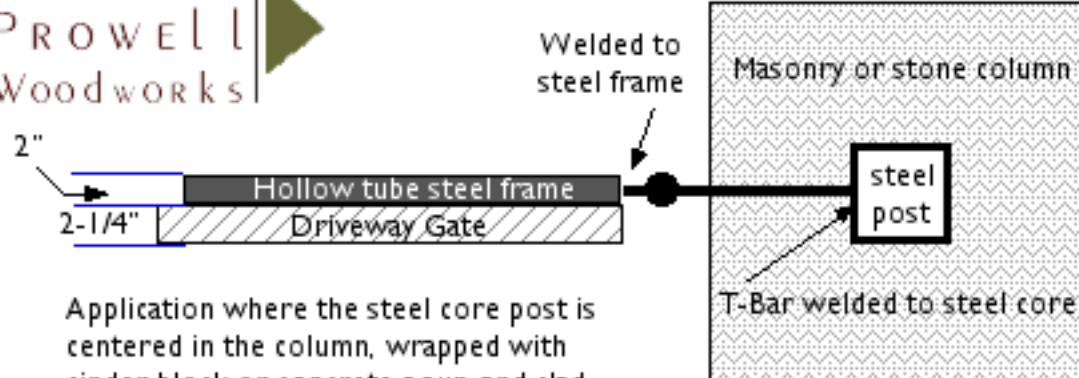
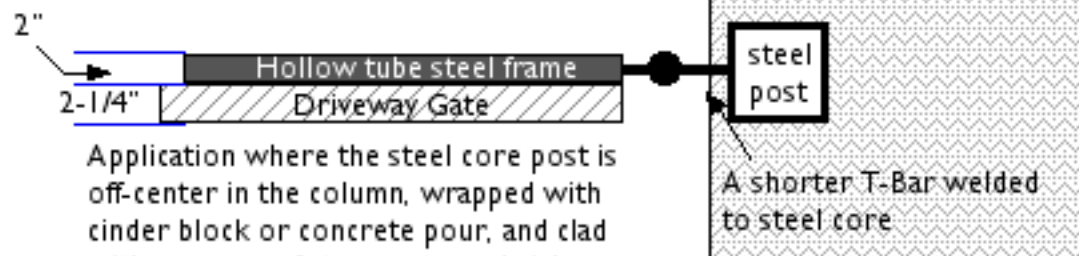


## Steel T-Bars Mounted from Column Core

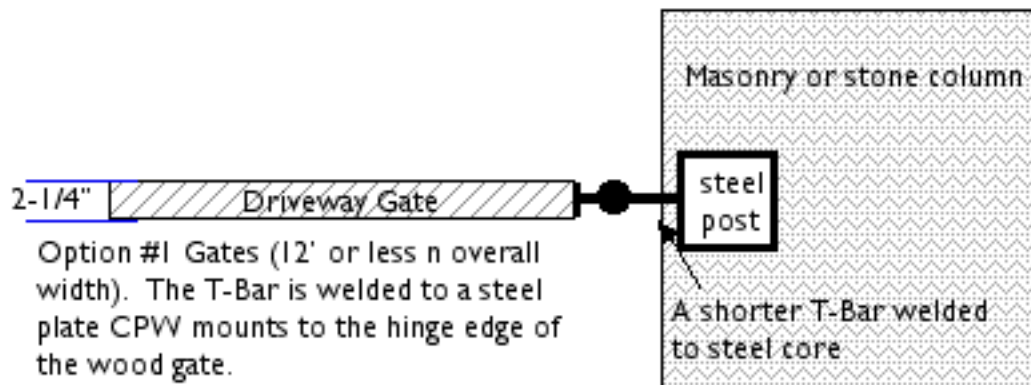
CHARLES  
PROWELL  
WOODWORKS



Application where the steel core post is centered in the column, wrapped with cinder block or concrete pour, and clad with a veneer of stucco, stone, brick



Application where the steel core post is off-center in the column, wrapped with cinder block or concrete pour, and clad with a veneer of stucco, stone, brick



Option #1 Gates (12' or less in overall width). The T-Bar is welded to a steel plate CPW mounts to the hinge edge of the wood gate.