

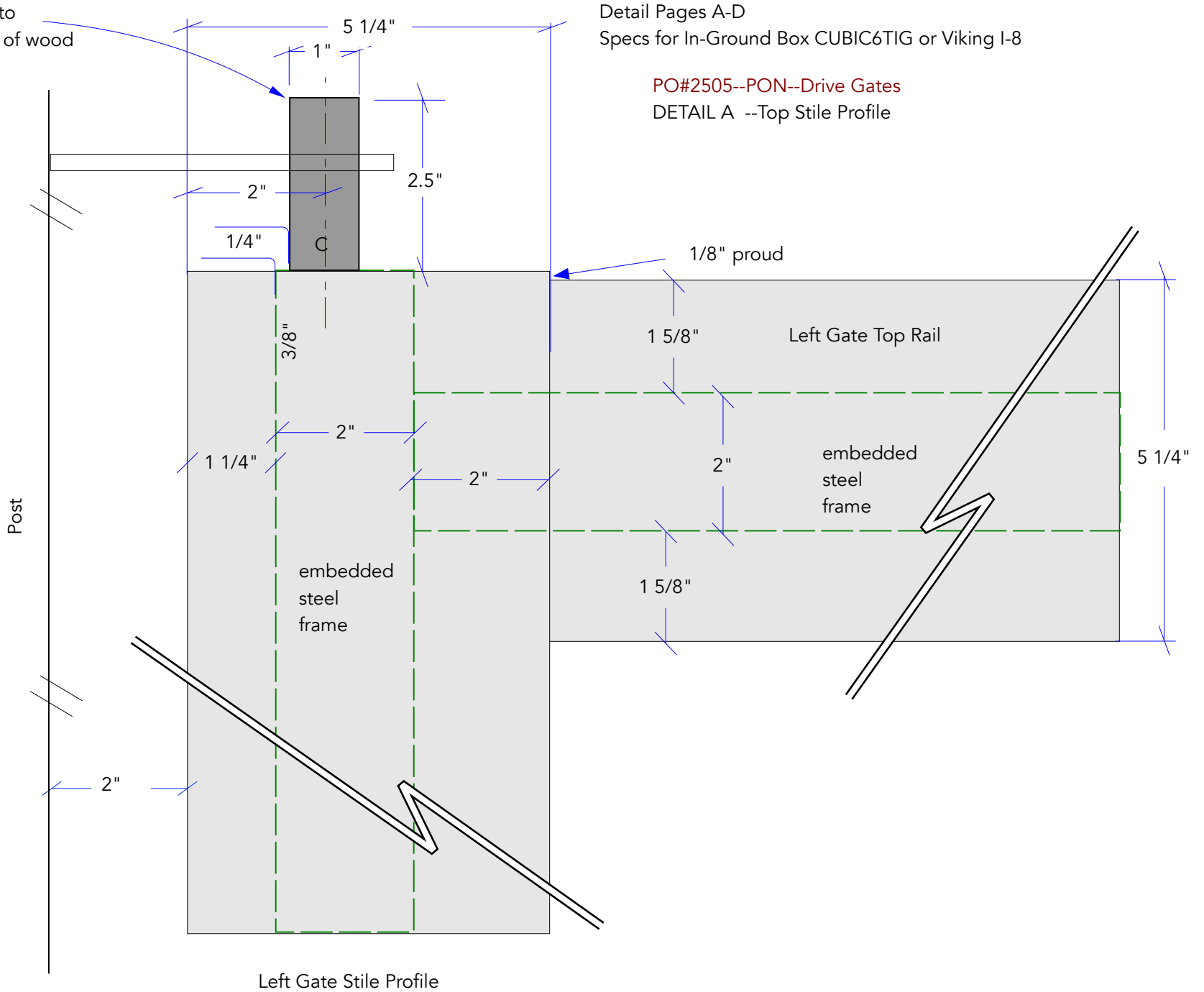
1" dia pin welded to extend 2.5" proud of wood

Detail Pages A-D
Specs for In-Ground Box CUBIC6TIG or Viking I-8

PO#2505--PON--Drive Gates
DETAIL A --Top Stile Profile

PROWELL **W**OODWORKS
800.466.1850

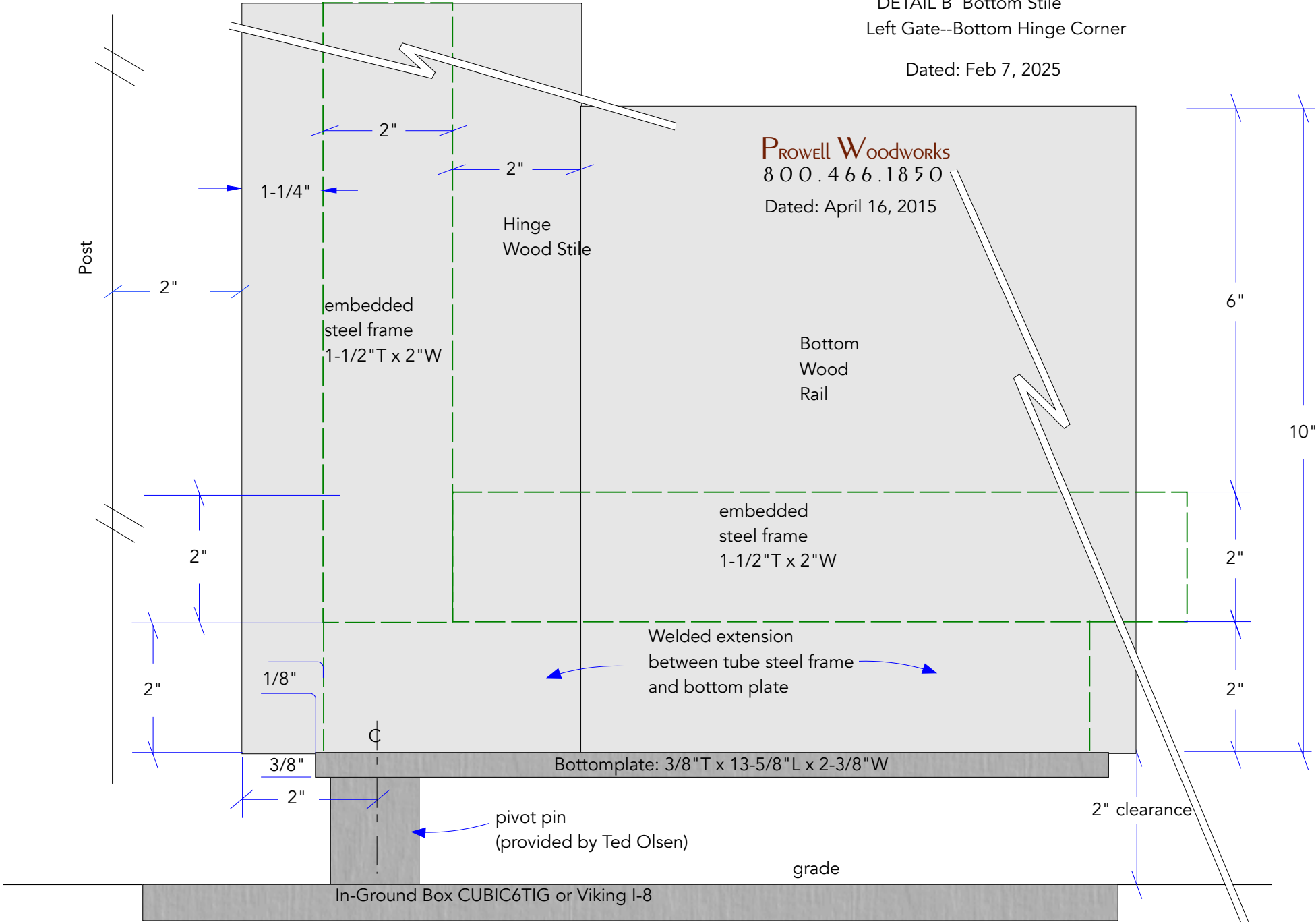
Dated: Feb 7, 2025



PO# 2505-PON--Drive Gate
DETAIL B Bottom Stile
Left Gate--Bottom Hinge Corner

Dated: Feb 7, 2025

Prowell Woodworks
800.466.1850
Dated: April 16, 2015

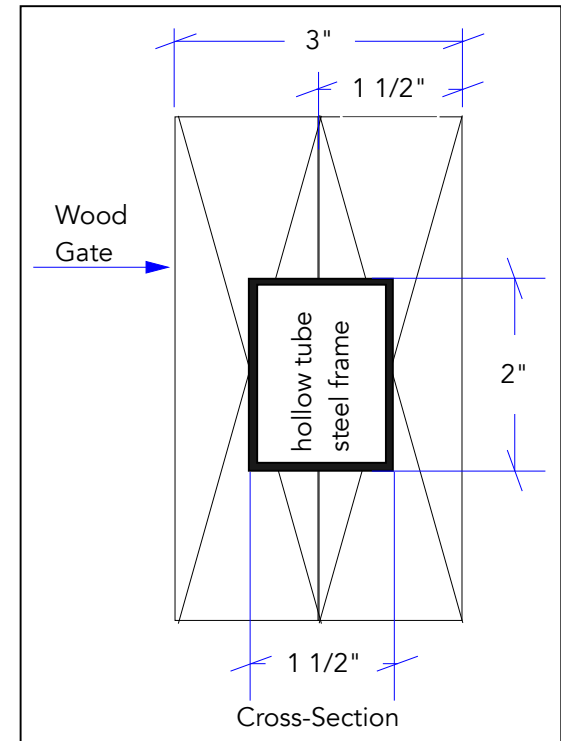
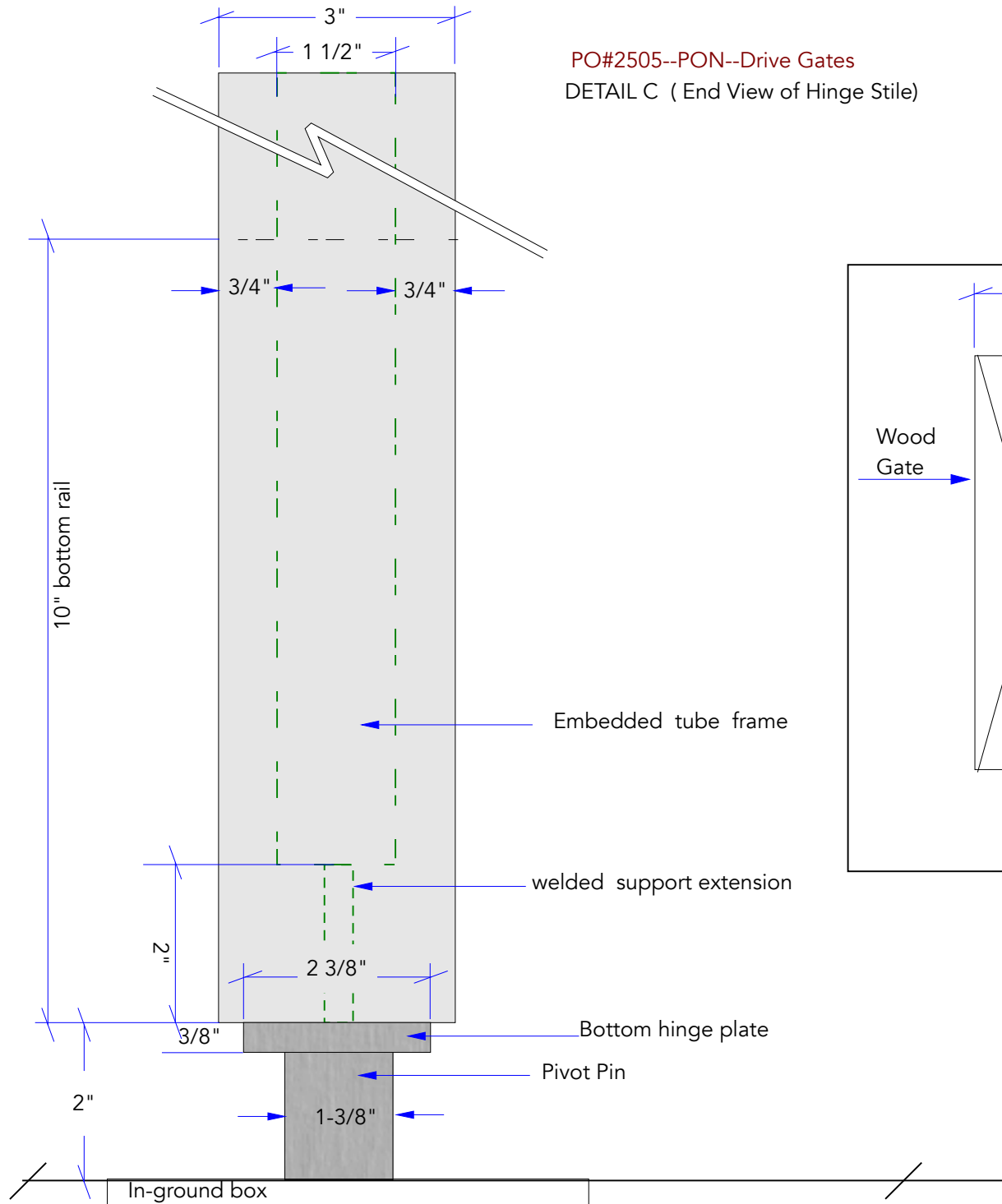


PO#2505--PON--Drive Gates
DETAIL C (End View of Hinge Stile)

PROWELL Woodworks
800.466.1850

Dated: Feb 7, 2025

0.010



PO#2505--PON--Drive Gates
DETAIL D (Plan View of In-Ground Bottom Plate)

PROWELL WOODWORKS
800.466.1850

Dated: Feb 7, 2025

