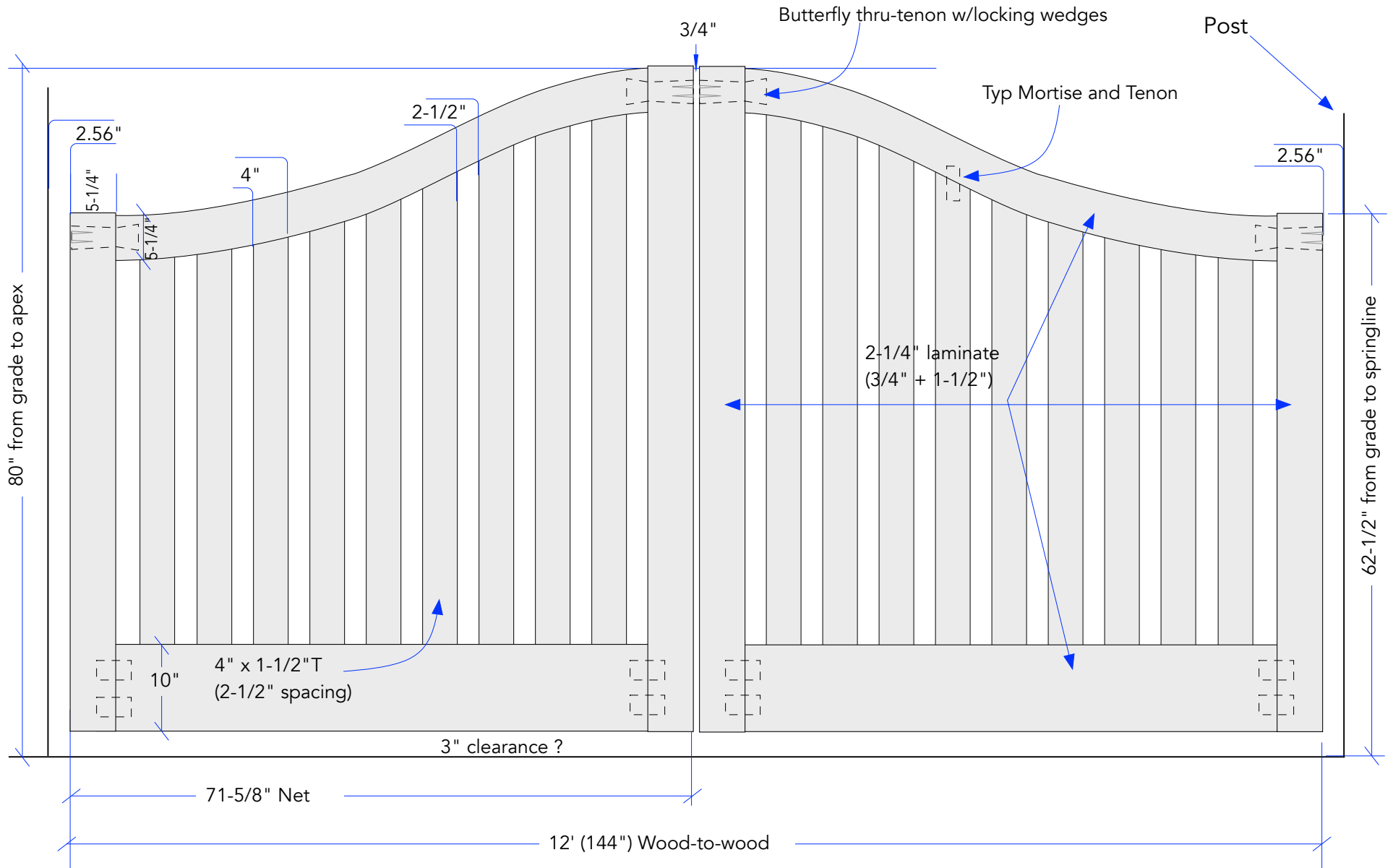


Prowell Woodworks  
800.466.1850

PO 2506--WRIGHT  
Custom Drive Gates-2-1/4" thickness

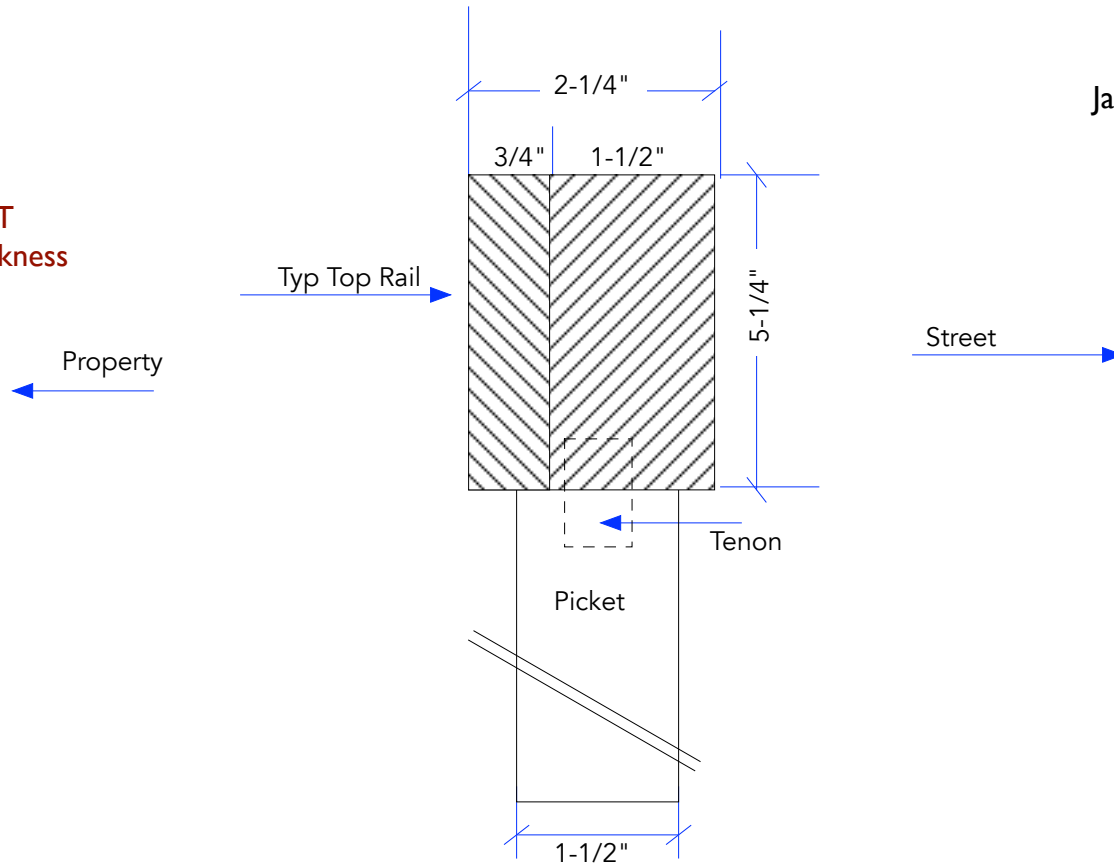
Jan 30, 2025



P<sub>rowell</sub> W<sub>oodworks</sub>  
 800.466.1850

Jan 30, 2025

PO 2506--WRIGHT  
 Custom Drive Gates-2-1/4" thickness



Carefully review this drawing and noted specifications for you made-to-order product. Final approval is required before production can begin, at which point no returns or refunds will be granted. You will receive an e-signature link to transmit your final approval.

**POSTS AND POST CAPS NOT INCLUDED**

PON--- PRODUCT SPECIFICATIONS / NOTES

**Product:** Drive Gates Custom  
**Material:** Clear Western Cedar  
**Construction:** Mortise and Tenon  
**Dimension:** Gates O.D. 144" X 80" ht from grade to apex  
**Thickness:** 2-1/4"  
**Swing Direction:** Swings in toward property

**Latch:** N/A  
**Hinge:** N/A  
**Lead Time:** Approx 6 wks from approval  
**Deliver To:** Kentfield, CA  
**Notes:**