

Prowell Woodworks
800.466.1850

Dated Feb 3, 2025

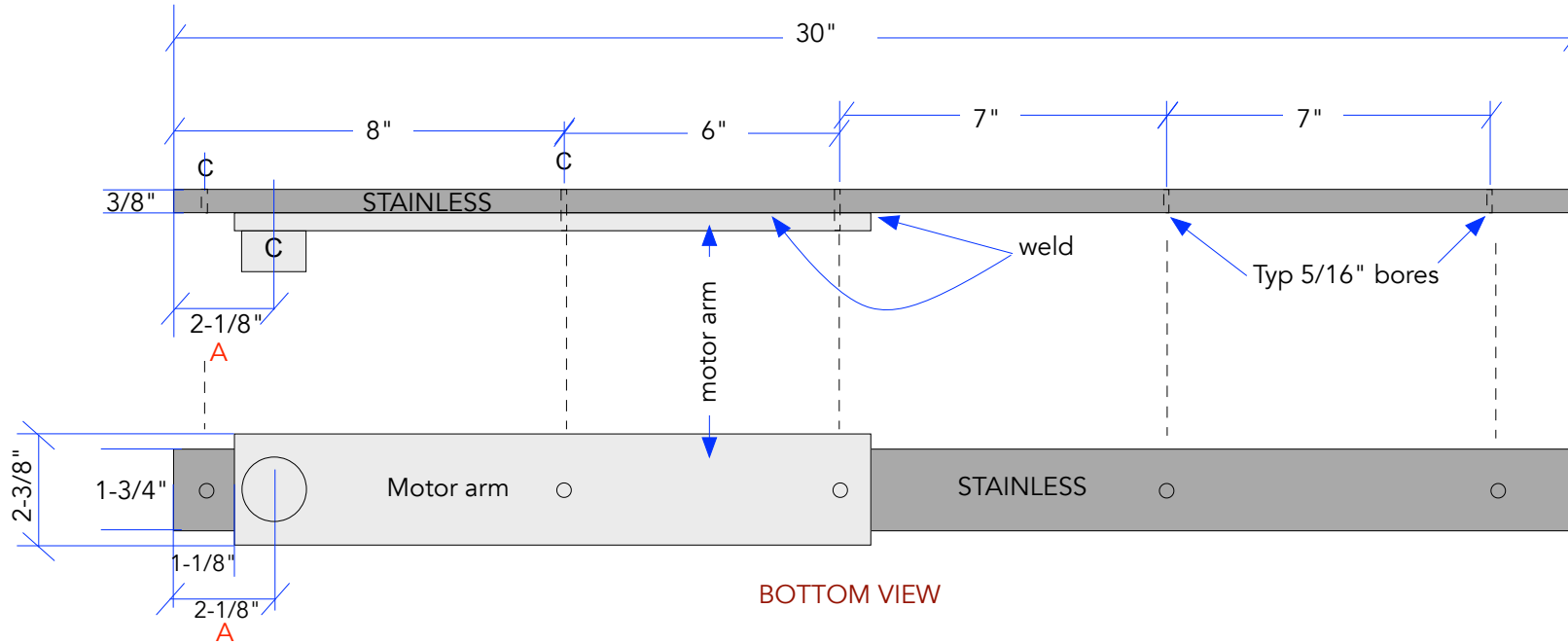
PO#2508-CLARK

BOTTOM PLATES

SIDE VIEW

In-ground Viking 1-8 specs for all-wood gates w/o steel frames.

*For optional models, please provide prowell with set-back dimensions marked with red **A**



TOP PLATES

